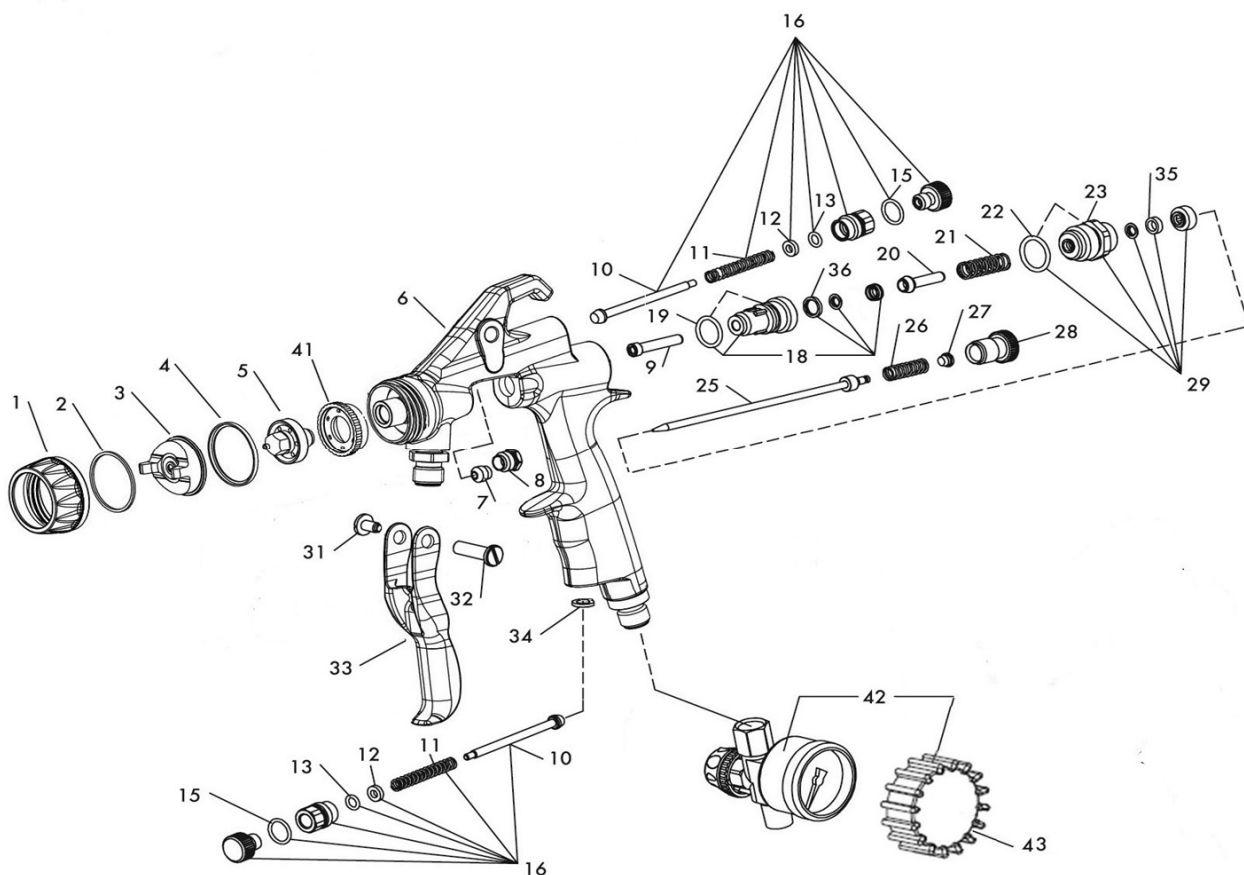


No.	REF.
1	Z081009
2	A018022
3 $\Phi 1,0$	Z081500.10
3 $\Phi 1,1$	Z081500.11
3 $\Phi 1,2$	Z081500.12
3 $\Phi 1,3$	Z081500.13
3 $\Phi 1,4$	Z081500.14
3 $\Phi 1,5$	Z081500.15
3 $\Phi 1,7$	Z081500.17
3 $\Phi 1,8$	Z081500.18
3 $\Phi 1,9$	Z081500.19
3 $\Phi 2,2$	Z081500.22
3 $\Phi 2,5$	Z081500.25
4	A018023
5 $\Phi 1,0$	Z081010.10
5 $\Phi 1,1$	Z081010.11
5 $\Phi 1,2$	Z081010.12
5 $\Phi 1,3$	Z081010.13
5 $\Phi 1,4$	Z081010.14
5 $\Phi 1,5$	Z081010.15
5 $\Phi 1,7$	Z081010.17
5 $\Phi 1,8$	Z081010.18
5 $\Phi 1,9$	Z081010.19
5 $\Phi 2,2$	Z081010.22
5 $\Phi 2,5$	Z081010.25
6	Z081014
7	A018065
8	Z065013
9	A018041
10	1031620

No.	REF.
11	1031621
12	20100213090
13	A007008
15	1031021
16	40811
18	A018085/19
19	A018028
20	A018012/19/COMP
21	A018001
22	A018029
23	A018006/19
24	A018004
25 $\Phi 1,0$	A018049.10
25 $\Phi 1,1$	A018049.11
25 $\Phi 1,2$	A018049.12
25 $\Phi 1,3$	A018049.13
25 $\Phi 1,4$	A018049.14
25 $\Phi 1,5$	A018049.15
25 $\Phi 1,7$	A018049.17
25 $\Phi 1,8$	A018049.18
25 $\Phi 1,9$	A018049.19
25 $\Phi 2,2$	A018049.22
25 $\Phi 2,5$	A018049.25
26	Z078038
27	A018024/TN
28	A018015
29	40822
31	Z078022ANO
32	Z081505ANO
33	Z081008

No.	REF.
34	A018061
35	A018055
36	A018045
[37 (White)]	[20100302096]
[37 (Grey)]	[20100302096/G]
38	Z078082
[39]	[52008/W]
[40]	[Z065043]
[41 (White)]	[52028/B]
[41 (Grey)]	[52028/G]
[42]	[90105/W]
[43]	[971005]
44	Z081003
KIT A	40783/HTE
2 - 4 - 7 - 15 - 19 -	
21 - 22 - 26 - 27 -	
36 - 2x38 - 44	
KIT ADC	$\Phi 1,0$ 800010
1 - 2 - 3 - 4 -	$\Phi 1,1$ 800011
5 - 25	$\Phi 1,2$ 800012
	$\Phi 1,3$ 800013
	$\Phi 1,4$ 800014
	$\Phi 1,5$ 800015
	$\Phi 1,7$ 800017
	$\Phi 1,8$ 800018
	$\Phi 1,9$ 800019
	$\Phi 2,2$ 800022
	$\Phi 2,5$ 800025



No.	REF.
1	Z081009
2	A018022
3 $\Phi 0,7$	Z081500.07
3 $\Phi 0,8$	Z081500.08
3 $\Phi 1,0$	Z081500.10
3 $\Phi 1,1$	Z081500.11
3 $\Phi 1,2$	Z081500.12
3 $\Phi 1,3$	Z081500.13
3 $\Phi 1,4$	Z081500.14
3 $\Phi 1,5$	Z081500.15
3 $\Phi 1,7$	Z081500.17
3 $\Phi 1,8$	Z081500.18
3 $\Phi 1,9$	Z081500.19
4	A018023
5 $\Phi 0,7$	Z081010.07
5 $\Phi 0,8$	Z081010.08
5 $\Phi 1,0$	Z081010.10
5 $\Phi 1,1$	Z081010.11
5 $\Phi 1,2$	Z081010.12
5 $\Phi 1,3$	Z081010.13
5 $\Phi 1,4$	Z081010.14
5 $\Phi 1,5$	Z081010.15
5 $\Phi 1,7$	Z081010.17
5 $\Phi 1,8$	Z081010.18
5 $\Phi 1,9$	Z081010.19
6	Z081025-3/8
7	A018065
8	Z065013
9	A018041
10	1031620
11	1031621

No.	REF.
12	20100213090
13	A007008
15	1031021
16	40811
18	A018085/19
19	A018028
20	A018012/19/COMP
21	A018001
22	A018029
23	A018006/19
24	A018004
25 $\Phi 0,7$	A018049.07
25 $\Phi 0,8$	A018049.08
25 $\Phi 1,0$	A018049.10
25 $\Phi 1,1$	A018049.11
25 $\Phi 1,2$	A018049.12
25 $\Phi 1,3$	A018049.13
25 $\Phi 1,4$	A018049.14
25 $\Phi 1,5$	A018049.15
25 $\Phi 1,7$	A018049.17
25 $\Phi 1,8$	A018049.18
25 $\Phi 1,9$	A018049.19
26	Z078038
27	A018024/TN
28	A018015
29	40822
31	Z078022ANO
32	Z081505ANO
33	Z081008
34	A018061
35	A018055

No.	REF.
36	A018045
41	Z081003
42	90105/W
43	971005

KIT A	40783/HTE
2 - 4 - 7 - 8 - 11 -	
12 - 13 - 15 - 19 - 21	
22 - 26 - 27 - 35 - 36	

KIT ADC	Φ	800007
1 - 2 - 3 - 4 -	$\Phi 0,7$	800008
5 - 25	$\Phi 0,8$	800010
	$\Phi 1,0$	800011
	$\Phi 1,1$	800012
	$\Phi 1,2$	800013
	$\Phi 1,3$	800014
	$\Phi 1,4$	800015
	$\Phi 1,5$	800017
	$\Phi 1,7$	800018
	$\Phi 1,8$	800019
	$\Phi 1,9$	