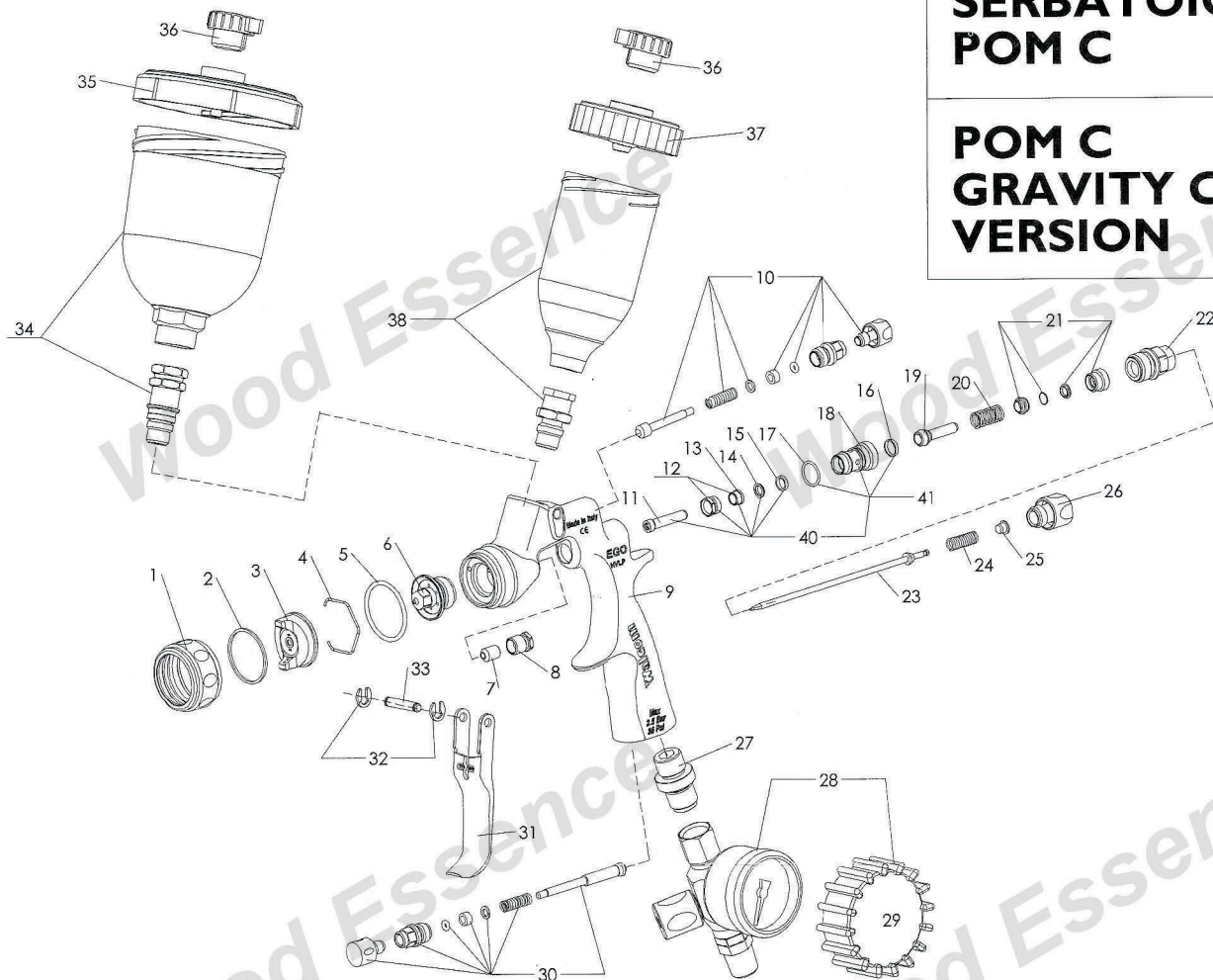


**VERSIONE
SERBATOIO IN
POM C**

**POM C
GRAVITY CUP
VERSION**



No.	REF.	No.	REF.	No.	REF.
1	Z066020	15	Z066039	33	1011225
2	Z066010	16	Z066002	34	Z066065
3 Ø0,5	Z066048.05	17	1035022	35	20100760090
3 Ø0,7	Z066048.07	18	Z066025	36	20100302096/W
3 Ø1,0	Z066048.10	19	Z066034	37	950512
3 Ø1,2	Z066048.12	20	Z066082	38	950513
3 Ø1,4	Z066048.14	21	Z066066	39	1011560
4	Z066053	22	Z066032-G	40	Z066100
5	Z066011	23 Ø0,5	Z066037.05	41	Z066101
6 Ø0,5	Z066003.05	23 Ø0,7	Z066037.07		
6 Ø0,7	Z066003.07	23 Ø1,0	Z066037.10	KIT B	1011262
6 Ø1,0	Z066003.10	23 Ø1,2	Z066037.12	2 - 4 - 5 - 7 - 13 - 14 -	
6 Ø1,2	Z066003.12	23 Ø1,4	Z066037.14	15 - 16 - 17 - 20 -	
6 Ø1,4	Z066003.14	24	Z065085	21 - 24 - 25 -	
7	Z066012	25	Z066006	32x2	
8	Z066013	26	Z066063		
9	Z066001	27	20100216000	KIT A	41370Ø0,5
10	Z066069	28	90147/W	1 - 2 - 3 - 4 - 5 -	41371Ø0,7
11	Z066067	29	971005	6 - 23	41372Ø1,0
12	Z066098	30	Z066072		41373Ø1,2
13	Z066099	31	Z066021		41374Ø1,4
14	Z066007	32	40500148030		