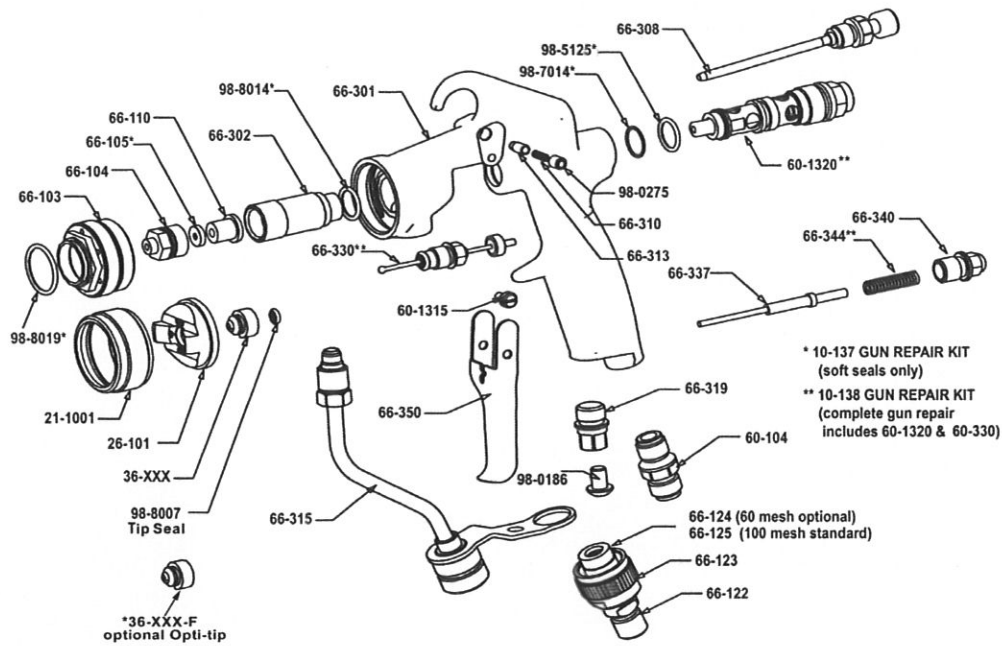
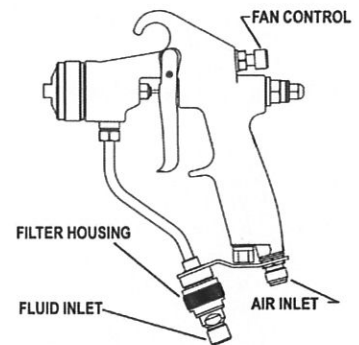


Operation and maintenance for *Bobcat* spray gun



OPERATION

1. Connect air supply hose at handle of gun.
2. Connect material supply hose from pump to gun fluid inlet.
3. The trigger safety is activated when trigger is pushed forward.
4. Maximum pattern width is determined by tip selection. Turning the fan control knob counter clockwise will narrow the fan. Pattern is maximum when fan control is completely closed.
5. For HVLP compliance, do not exceed 18 psi air pressure at gun handle.



MAINTENANCE

NOTE: Complete gun disassembly is not recommended for normal cleaning and maintenance.

IMPORTANT! Relieve gun fluid pressure to 0 psi before performing any maintenance.

It is recommended repair kit #10-137 or #10-138 be on hand before starting gun repair.

Replacing needle cartridge assembly

1. Remove the trigger by removing both trigger screws 60-1315
2. Remove fluid spring cap 66-340 using a 3/8" wrench.
3. Remove needle return spring 66-344, and push rod 66-337.
4. Remove air valve assembly 61320 using a 9/16" wrench.
5. Using a 3/8" wrench remove the needle seal body. The needle cartridge 66-330 can be removed through the back of the gun.
6. Inspect o-rings 98-7014 and 98-5125 and replace if necessary.

Replacing gun seat

1. Remove air cap and tip. Using a 1/2" socket, remove fluid nozzle body 66-104
2. Using an 1/8" rod, push both the seat 66-105 and seat retainer 66-110 out of the nozzle body.

Replacing gun filter

1. Using a 3/4" open end wrench, remove filter retainer nut 66-123 and separate the upper and lower filter housings exposing the filter. It is not necessary to disconnect the fluid hose to change the filter.

NOTE: The gun is equipped with a 100 mesh filter as standard. 60 mesh filters are also available.